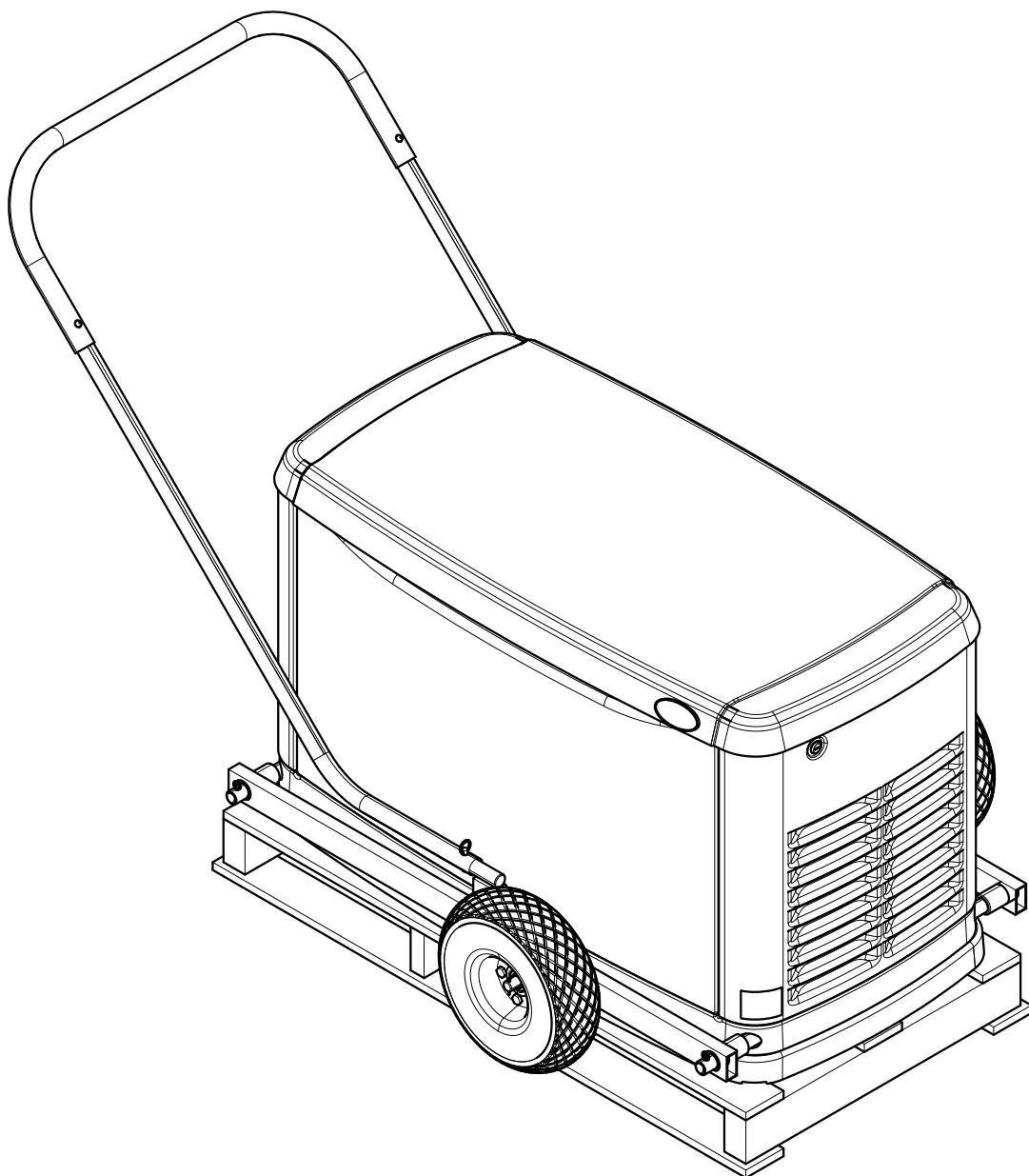


GENERAC®

POWER SYSTEMS, INC.

Owner's Manual Installation Cart 005685-0



Keep this owner's manual accessible at all times.
Information included in this manual will help prevent
accidental damage to the generator and or injury to the operator.

No part of this publication may be reproduced without written permission.

INTRODUCTION

Thank you for purchasing the Generac® Power Systems, Inc. Installation Cart model 005685-0. This cart has been designed to enable an individual to move and orient a Generac® Power Systems, Inc. Home Standby Generator. This cart is designed to be portable, easy to assemble and able to navigate uneven terrain.

The operator is responsible for proper and safe use of the equipment. The manufacturer strongly recommends that the operator read this Owner's Manual and thoroughly understand all instructions before using this equipment. The manufacturer also strongly recommends instructing other users to properly assemble and operate the equipment. Incorrect assembly of the equipment may result in injury to the operator or damage to the generator.

There are various safety symbols the operator will need to understand. A description of those safety symbols is located below.

— **WARNING** —

After reading this heading, read instructions that, if not strictly complied with, may result in serious injury or property damage.

— **CAUTION** —

After reading this heading, read instructions that, if not strictly complied with, could result in serious injury or property damage.

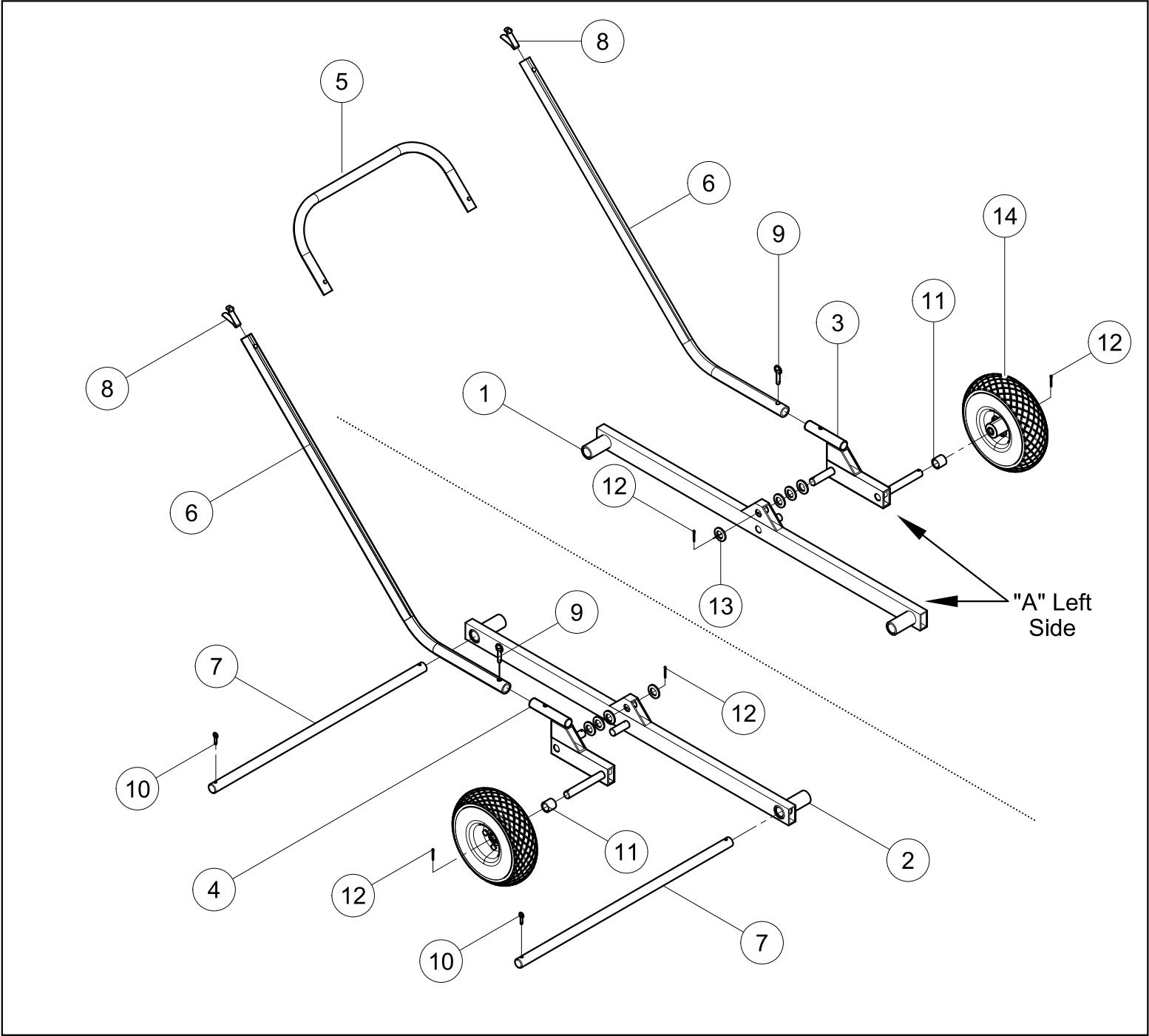
The operator is responsible for the proper and safe use of the equipment. The safety section will illustrate proper moving techniques and safety checks the operator must be aware of before attempting to move a Generac® Power Systems, Inc. Home Standby Generator.

PARTS LIST

The following parts should be included in the packaging of the Generac® Power Systems, Inc. Installation Cart model 005685-0.

Item	Qty.	Part Number	Description
1	1	0G9395AES0R	Left Hand Frame Assembly
2	1	0G9395BES0R	Right Hand Frame Assembly
3	1	0G9398AES0R	Left Hand Axle Assembly
4	1	0G9398BES0R	Right Hand Axle Assembly
5	1	0G94000ES0R	Top Handle
6	2	0G94010ES0R	Side Rail Handle
7	2	0G93990ES0R	Lifting Rod
8	2	0G5442	Snap Button
9	2	0G9418	3/8" Quick Release Pin
10	4	0G9417	1/4" Quick Release Pin
11	2	0E0318	Wheel Spacer
12	4	0D4999	Cotter Pin
13	8	045900	Flat Washer
14	2	0D7668	Wheel
15	1	0G9394	Manual

PARTS LIST



ASSEMBLY

Follow the instructions below for attaching the Installation Cart to a Generac® Power Systems, Inc. Home Standby Generator.

Step 1.) Once the generator has been unpackaged, remove the shipping brackets holding the generator to the shipping pallet. (See figure 1)

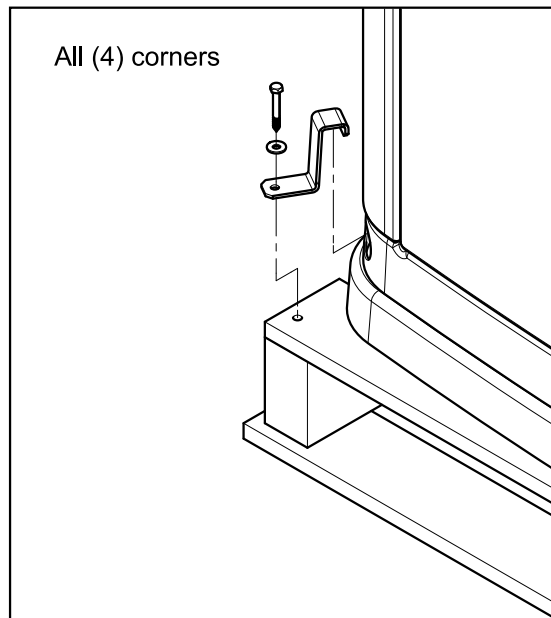


Figure 1

Step 2.) Slide lifting rods through generator base holes as shown below. (See figure 2)

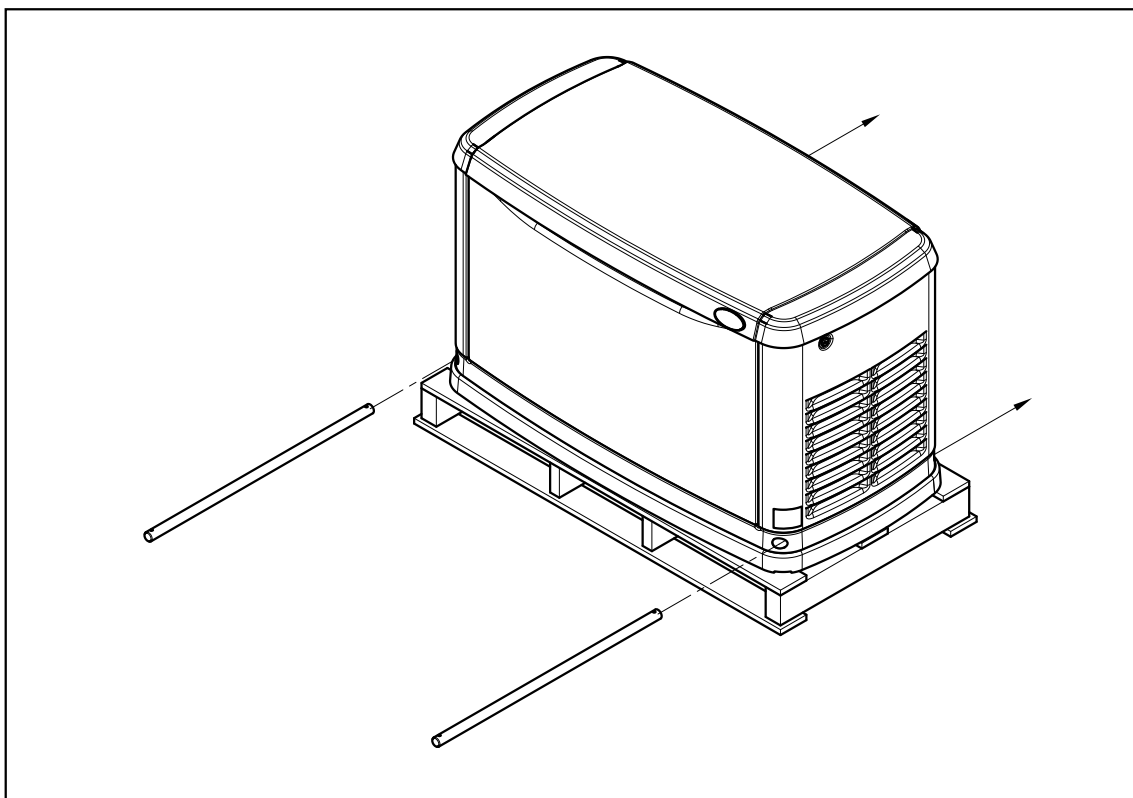


Figure 2

ASSEMBLY

Follow the instructions below for attaching the Installation Cart to a Generac® Power Systems, Inc. Home Standby Generator.

Step 3.) Attach the left and right wheel/frame assemblies to the lifting rods as shown.
See figure 3.

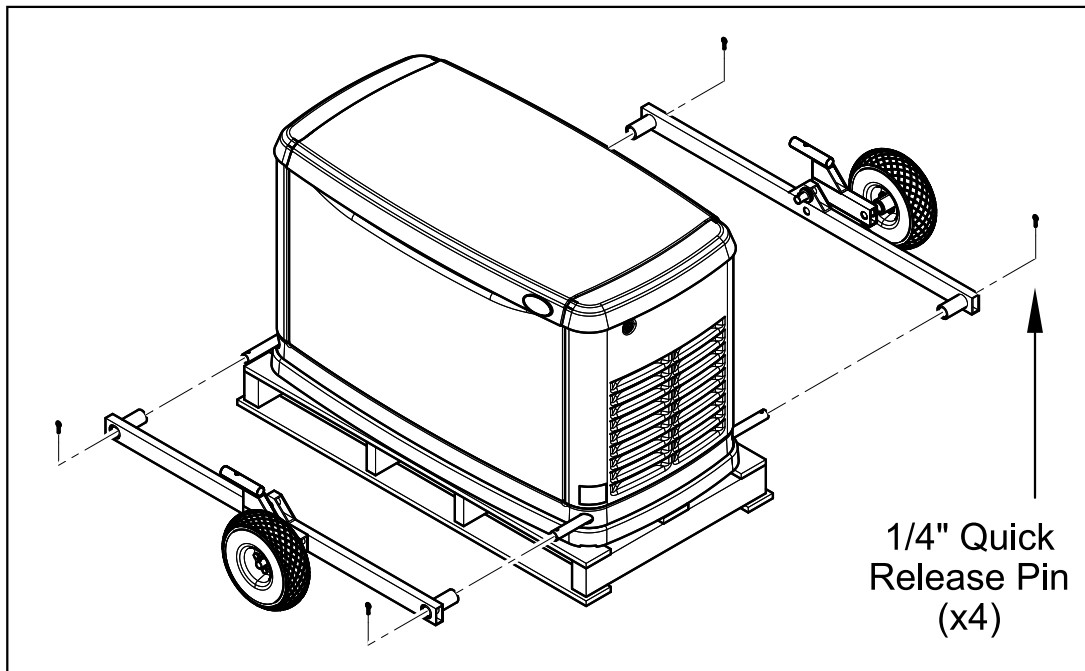


Figure 3

Step 4.) Attach side rail handles. See figure 4.

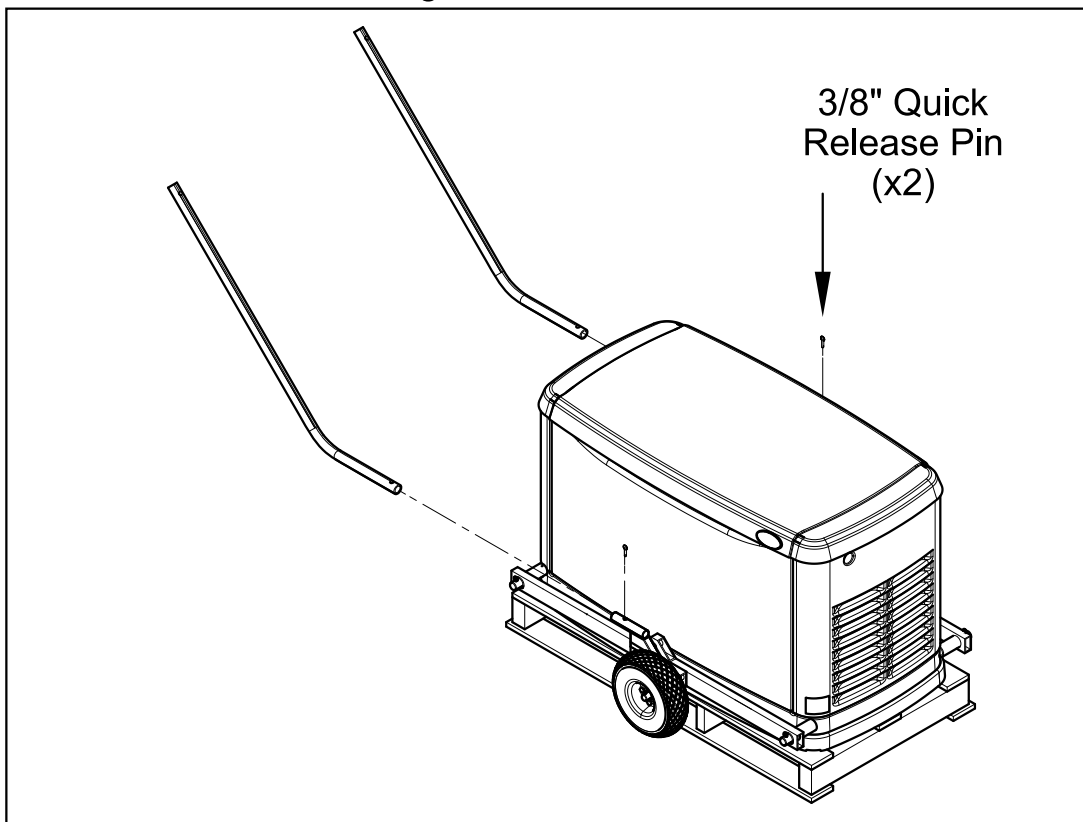


Figure 4

ASSEMBLY

Follow the instructions below for attaching the Installation Cart to a Generac® Power Systems, Inc. Home Standby Generator.

Step 5.) Insert snap buttons into the ends of the side rail handles. Pay attention to the orientation of the snap buttons in relation to the side handles. Once snap buttons are correctly inserted, push top handle into place. See figure 5.

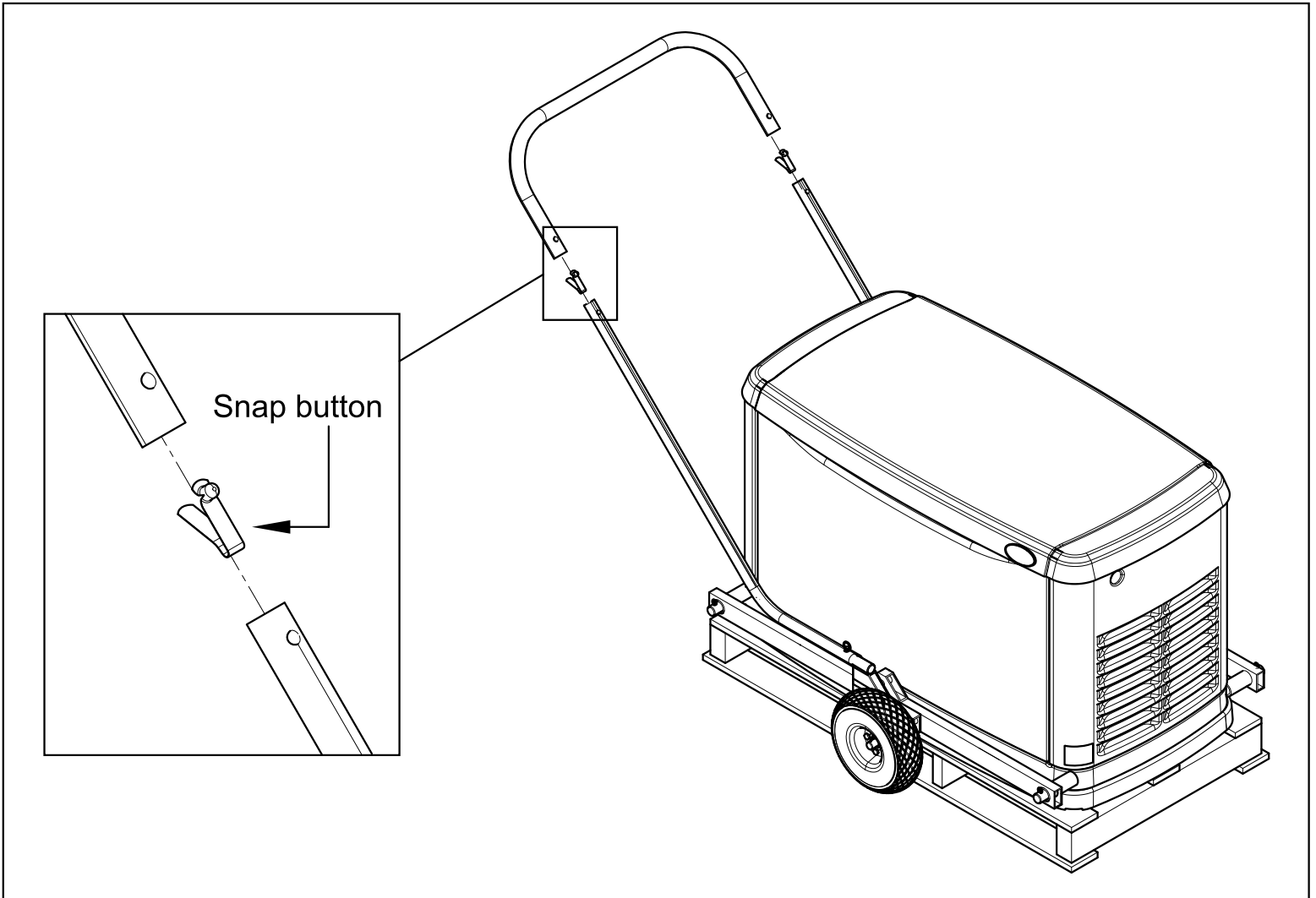


Figure 5

Step 6.) Verify all hardware and parts are securely installed.

OPERATION

Once the hardware is removed holding the Home Standby Generator to the pallet, the Installation Cart can be operated as follows. To raise the Home Standby Unit off of the pallet, simply move the handle as shown below. To lower the Home Standby Unit, simply move the handle in the opposite direction. See figure 6.

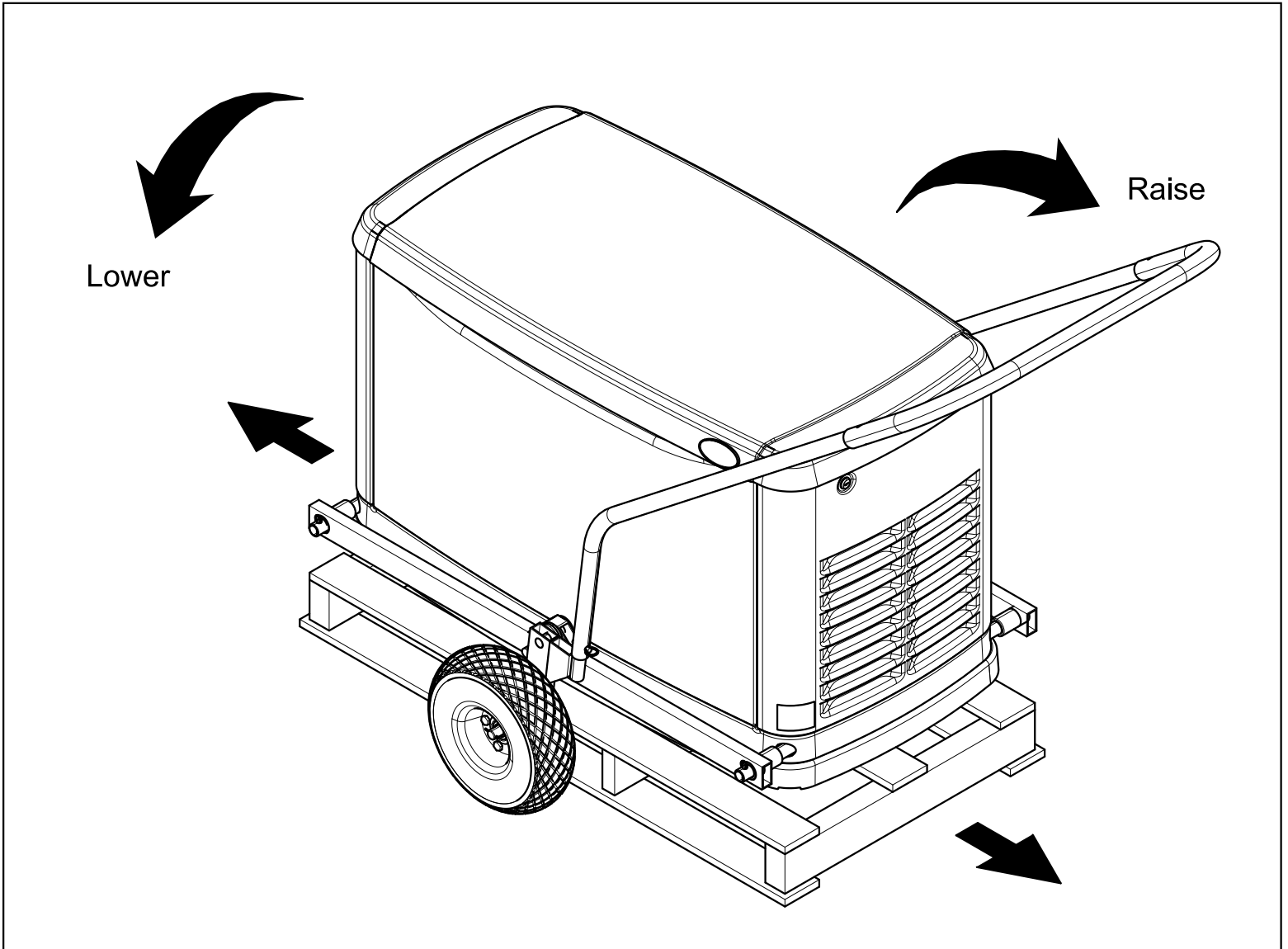


Figure 6

Observe the installation area for debris and even ground surface. The Installation Cart is equipped with pneumatic tires which can be taken in rough and uneven surfaces, if clearance allows. When the Installation Cart is fully raised, it will give roughly 6-1/2" of clearance from the bottom of the Home Standby Unit to the ground. The Installation Cart can be moved forward or backward similar to pushing or pulling a lawn mower. Please read the safety section of this manual for proper moving techniques.

SAFETY

The operator is responsible for the proper and safe use of the equipment. This safety section will describe proper moving techniques and safety checks.

— CAUTION —

Always be aware of the terrain you will be attempting to move the Home Standby Generator through. **DO NOT** attempt to move a Home Standby Generator on an extremely sloped hill. This may result in a loss of control and can result in injury or damage to the unit. Be sure to check the moving path for debris, slopes, large rocks, or protruding pipes. Attempting to move a Home Standby Generator over such items may result in damage to the generator.

— WARNING —

Improper assembly can result in disassembly while attempting to move the Home Standby Generator. This can result in a loss of control of the unit and may result in damage to the unit and or injury to the operator. Please check all fasteners for proper assembly before attempting to move the Home Standby Generator. If unit becomes damaged please refer to page 4 for part number information for reordering.

This unit has been designed to perfectly balance a Home Standby Generator over the axle and wheel assemblies. Using the same technique as operating a lawn mower will prevent the operator and the unit from damage. Always use two hands when grasping the top handle. A wide foot stance will prevent the operator from losing balance and control when attempting to move a Home Standby Unit.

Thank you for purchasing the Generac® Power Systems, Inc. Installation Cart model 005685-0. Please follow all assembly and safety instructions included in this manual.

SAFETY

